

**PODEMICRANE**



# **SPARE PARTS CATALOGUE**

## **ELECTRIC HOIST TYPE MT**

**CONTENTS:**

N	Name	Page
	Directions for using the catalogue	2
1	Lifting reducer	2
2	Body with switching-off system, drum, rope	3
3	Rope guide	4
4	Clutch	5
5	Suspension	6
6	Hook set	7
7	Travel mechanism - low headroom	9
7.4	Travel mechanism type M - normal headroom	12
8.	Load limiter type HOT	13
9.	Control block	15
	Form for requesting spare parts	17

**The catalogue is in accordance with:**

1. **BDS 2.601-82**, Operational documents.
2. **DIN V 8418**, Benutzerinformation.
3. **EN 292-2:1991** Sicherheit von Maschinen.
4. **DIN 24420, Teil 1**, Ersatzteillisten, Allgemeines.
5. **DIN 24420, Teil 2**, Ersatzteillisten, Form und Bau des Textteiles.
6. **ГОСТ 2.601-68**, ЕСКД. Эксплуатационные документы.
7. **ISO 10973:1995(E)**, Cranes - Spare parts manual.

**EACH ORDER SHALL CONTAIN THE FOLLOWING DATA:**

1. Type, factory number, operation mode group and year of production of the electric hoist as given in its factory nameplate.
2. Name and catalogue number of the requested parts..
3. Quantity of each part.
4. Type, voltage and frequency as stated on item's identity plate for the electric equipment spare parts.
5. Number of catalogue, printed on the right of the last line of every page.
6. Kind of the parcel.
7. Address for delivering of the parcel.

The form for requesting spare parts is shown in Appendix 1.

**TO ORDER SPARE PARTS CONTACT THE FOLLOWING ADDRESS:****PODEMCRANE AD**

**General Nikolov N 1, 5300 Gabrovo, Bulgaria**

**tel. ++359 66 801364**

**fax ++359 66 801365**

**e-mail: [podemcrane@podem.bg](mailto:podemcrane@podem.bg)**

## Directions for using the catalogue

The present catalogue comprises all parts of the MT.... electric hoists.

The tables show the numbers of the figures and the positions, the name, quantity and catalogue number of the parts for the specific modification. If for a group or subgroup a single illustration is used, it may be given after the table but not in the table column.

The units whose positions are in the circle, can not be disassembled and are delivered as whole sets. Standards articles such as bolts, nuts, safety rings, etc., which usually are not offered as spare parts, but it's not impossible for the customer to order them. They are shown and described for the sake of facilitating the electric hoist maintenance. When replacing them make sure to observe the strength class of the tightening elements.

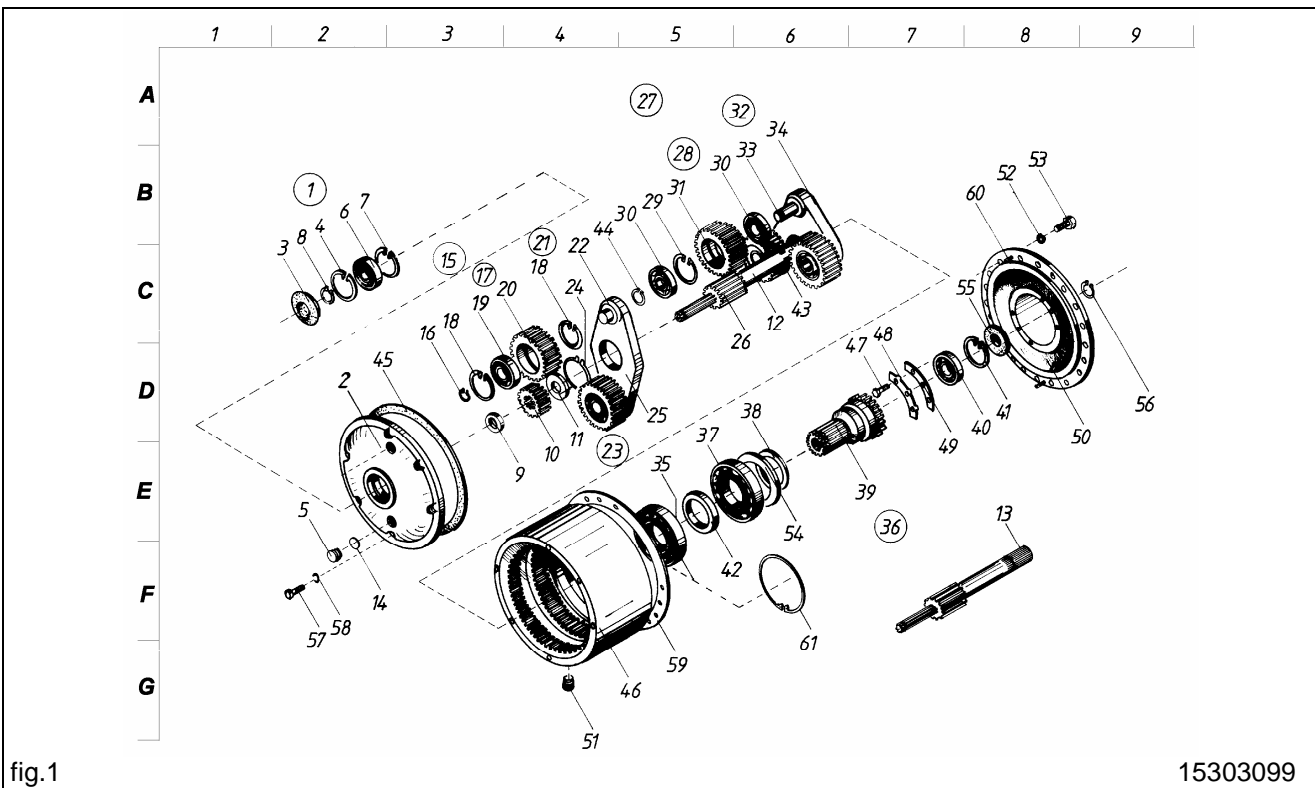
The lifting speeds and the lifting height are denoted in the passport.

Type of the motors are denoted in the passport

## 1. LIFTING REDUCER

Table.1

allo- cation allo-	Positions of fig. 2		Q.	Catalogue number p					
	pos	Name		MT30..		MT31...		MT52..	
				V1	V2	V1	V2	V1	V2
1	2	3	6	7	8	9	10		11
		Reducer (pos.1,15,27,48--60)	1	807956	807502	808187	808498	808188	807504
B2	1	Input shaft (pos. 2-12)	1	807963	807649	808192	808499	808207	808836
C3	15	Gearing I complete (pos. 16,17,21)	1	807965	807651	808193	808500	808209	808837
C3	17	Planetary gear (pos. 18-20)	2	807966	807539	808195	808502	808204	808839
B4	21	Planet carrier I (pos.22,23)	1	807967	807526	503065	808503	808206	808840
A5	27	Gearing II complete (pos. 32,36,43,50,54,61)	1	807965	807965	808202	808202	807558	807558
B5	28	Planetary gear (pos.29-31)	3	807167	807167	808197	808197	503060	503060
A6	32	Planet carrier II (pos.33-34)	1	807186	807186	807632	807632	807634	807634
E7	36	Shaft-spline bush (pos.37-41)	1	807168	807168	162471	162471	162566	162566



## 2. BODY WITH SWITCHING-OFF SYSTEM, DRUM, ROPE.

Table.2

F l g	pos	Name		S.	Q	Modification								
						Low headroom				Normal headroom				
						stationary modification								
						H0	H1	H2	H3	H0	H1	H2	H3	
Catalogue number														
1	2	3	4	5	6	7	8	9	10	11	12	13	14	
		<b>Size MT305</b>		<b>(Reeving 2/1 и 4/1 : <math>d_b=7</math>, group 2m;)</b>										
2		Body with OT (pos.1,11)	2/1	V1,V2	1	-					808534	808624	808625	808626
			4/1	V1,V2	1		808844	808845	808846					
	5	Rod	2/1,4/1	V1,V2	1	808789	808703	808704	808705		808789	808703	808704	808705
	[10]	Drum set	2/1,4/1	V1,V2	1						808231	503323	503324	807643
	16	Rope	2/1	V1,V2	1	808572	808573	808574	808575		808565	808566	808567	808568
	16	Rope	4/1	V1,V2	1		808576	808577	808578		808569	808570	808571	
		<b>Size MT308</b>		<b>(Reeving 2/1 и 4/1 : <math>d_b=7</math>, group 2m;)</b>										
2		Body with OT (pos.1,11)	2/1	V1,V2	1						808535	808539	808627	808628
			4/1	V1,V2	1		807621	808092	808652			808841	808842	808843
	5	Rod	2/1,4/1	V1,V2	1	808789	808703	808704	808705		808789	808703	808704	808705
	[10]	Drum set	2/1,4/1	V1,V2	1	808231	503323	503324	807643		808231	503323	503324	807643
	16	Rope	2/1	V1,V2	1	808586	808587	808588	808589		808579	808580	808581	808582
	16	Rope	4/1	V1,V2	1		808590	808591	808592		808583	808584	808585	
		<b>Size MT312</b>		<b>(Reeving 2/1 и 4/1 : <math>d_b=10</math>, group 2m;)</b>										
2		Body with OT (pos.1,11)	2/1	V1,V2	1						808536	808471	808629	808537
			4/1	V1,V2	1		807509	808094	808653			808472	808646	808647
	5	Rod	2/1,4/1	V1,V2	1	808744	808710	808711	808712		808744	808710	808711	808712
	[10]	Drum set	2/1,4/1	V1,V2	1	808232	503328	503359	807655		808232	503328	503359	807655
	16	Rope	2/1	V1,V2	1	808600	808601	808602	808603		808593	808594	808595	808596
	16	Rope	4/1	V1,V2	1		808604	808605	808606		808597	808598	808599	
		<b>Size MT316</b>		<b>(Reeving 2/1 и 4/1 : <math>d_b=10</math>, group 2m;)</b>										
2		Body with OT (pos.1,11)	2/1	V1,V2	1						808555	808632	808540	808633
			4/1	V1,V2	1		807528	808093	808654			808091	808648	808649
	5	Rod	2/1,4/1	V1,V2	1	808744	808710	808711	808712		808744	808710	808711	808712
	[10]	Drum set	2/1,4/1	V1,V2	1	808232	503328	503359	807655		808232	503328	503359	807655
	16	Rope	2/1	V1,V2	1	808600	808601	808602	808603		808593	808594	808595	808596
	16	Rope	4/1	V1,V2	1		808604	808605	808606		808597	808598	808599	
		<b>Size MT525</b>		<b>(Reeving 2/1 и 4/1 : <math>d_b=12</math>, group 2m;)</b>										
2		Body with OT (pos.1,11)	2/1	V1,V2	1						808538	80630	808542	808631
			4/1	V1,V2	1		807559	808533	808655			808541	808650	808651
	5	Rod	2/1,4/1	V1,V2	1	808799	808699	808696	808694		808799	808699	808696	808694
	[10]	Drum set	2/1,4/1	V1,V2	1	808233	503372	503373	807658		808233	503372	503373	807658
	16	Rope	2/1	V1,V2	1	808614	808615	808616	808617		808607	808608	808609	808610
	16	Rope	4/1	V1,V2	1		808618	808622	808620		808611	808612	808613	

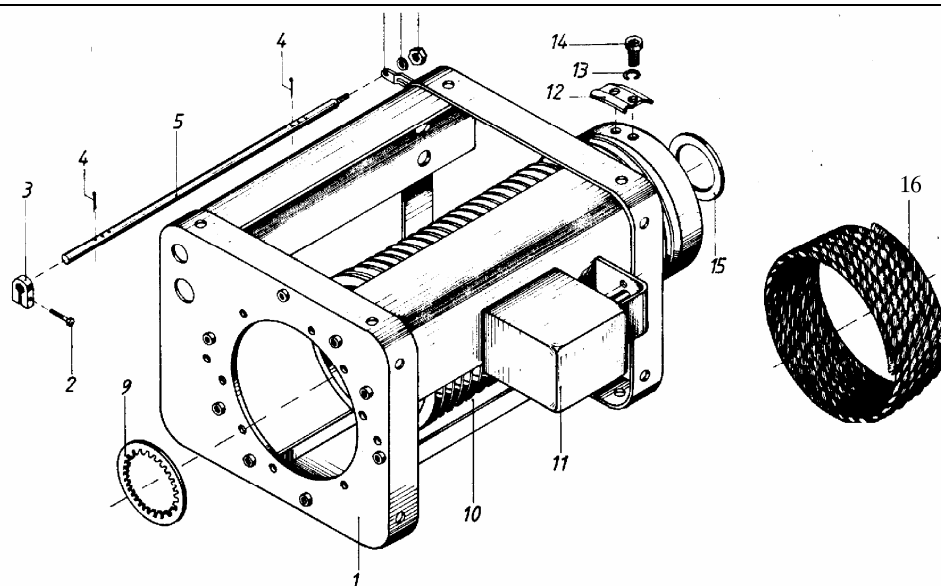


fig.2

15303003

**Note:** 1. Assembly of load limiter type HOT for electric hoist low headroom and reeving 2/1 is shown in fig.10, pos.14.

### 3. ROPE GUIDE

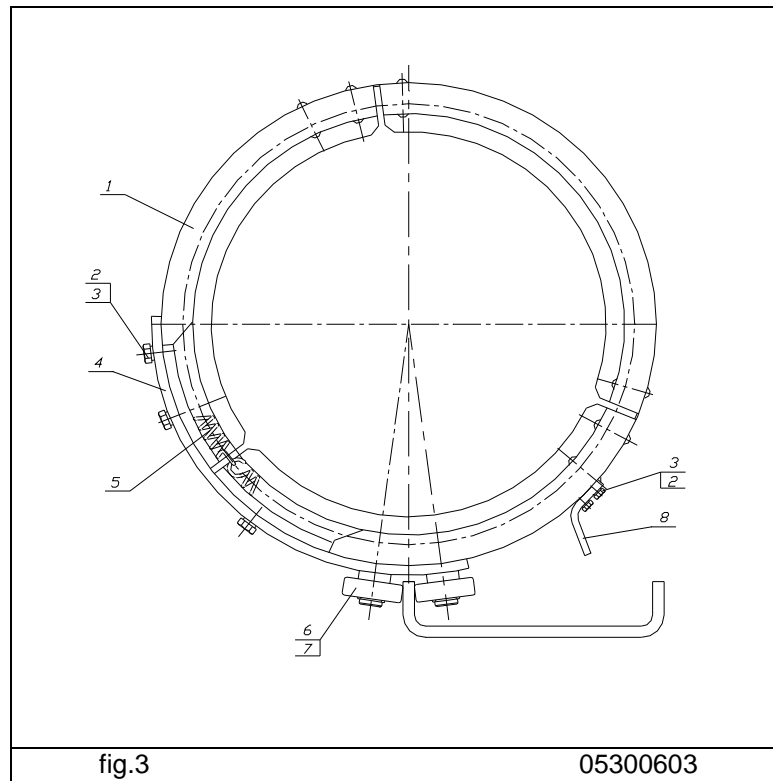


Table 3

		Rope guide							
Fig.	pos	Modification	Normal headroom			Low headroom			
		Полиспаst	2/1 и 4/1			2/1 и 4/1			
		Name	Q	Catalogue number					
3		<b>Size</b>	MT305 и MT308	MT312 и MT316	MT525 12	MT305 и MT308 7	MT312 и MT316 10	MT525 12	
		<b>Rope diameter mm</b>	7	10	12	7	10	12	
		Rope guide – поз. 1- 8	1	807132	807138	503398	807258	807259	807260
	1	Rope guide complete	1	807133	807139	503399	807262	807263	807264
	5	Spring	1	831010	807146	202818	831010	807146	202818

## 4. CLUTCH

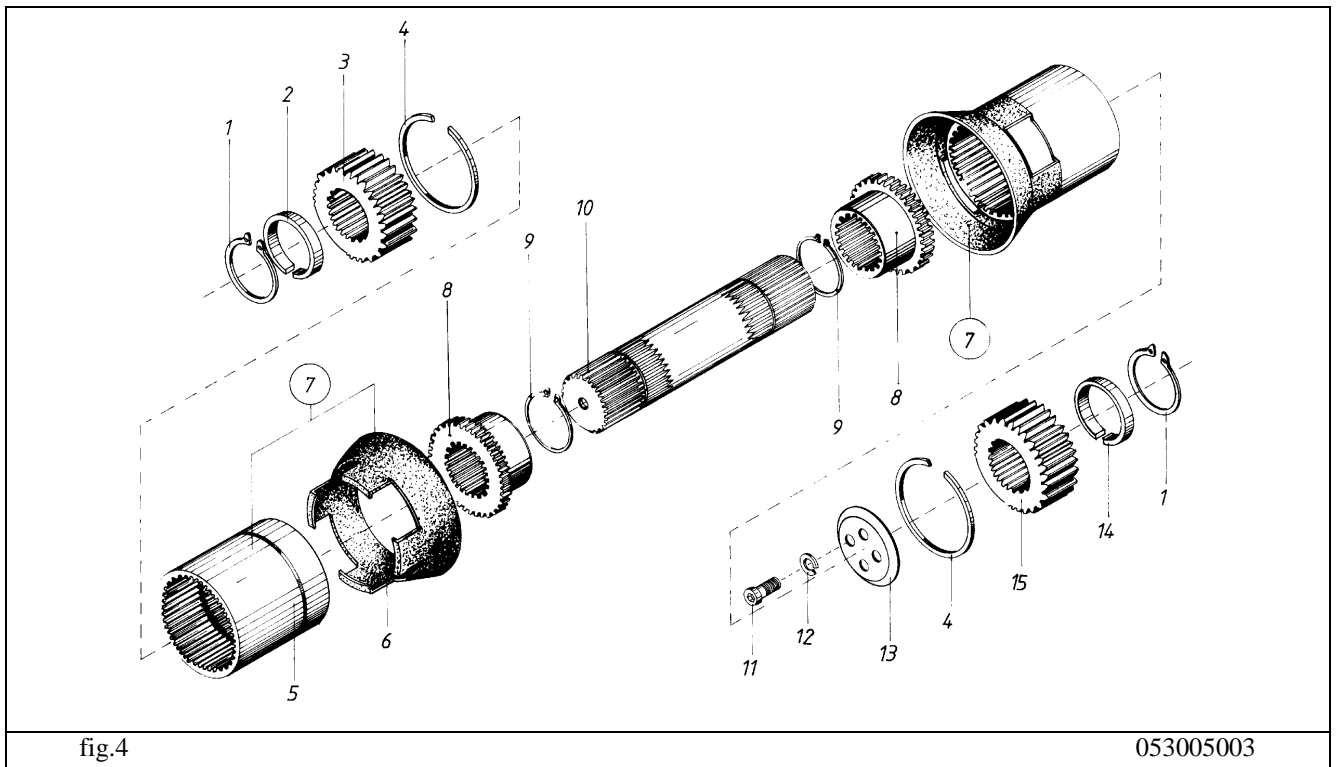
### 4.1. Geared clutch, Shaft complete

Table 4.1

fig	pos	name	Q	MT305	MT308	MT312	MT316	MT525
4	3	Geared bush - left	1	803137	803137	803136	803136	803135
	4	Ring	2	208726	208726	208726	208726	208726
	5	Geared bush	2	803138	803138	803138	803138	803138
	6	Guide	2	803140	803140	803140	803140	803140
	15	Geared bush - right	1	807507	807507	803136	803136	807562
		Shaft complete pos.8-10	1	-	look the table 4.2			

Table 4.2

Saze	Fig.	Pos.	Name	Q	H0	H1	H2	H3
MT305; MT308	4		Вал междинен к-т – поз. 8-10	1	808396	807622	808030	808398
		10	Вал междинен	1	808389	807623	807994	808390
		Вал междинен к-т – поз. 8-10	1	808399	503347	503348	808400	
10		Вал междинен	1	808391	503353	807995	808392	
		Вал междинен к-т поз. 8-10	1	808401	503349	503350	808402	
MT525		10	Вал междинен	1	808393	503355	503356	808394



## 5. SUSPENSION

### 5.1. Fixing the rope to the body

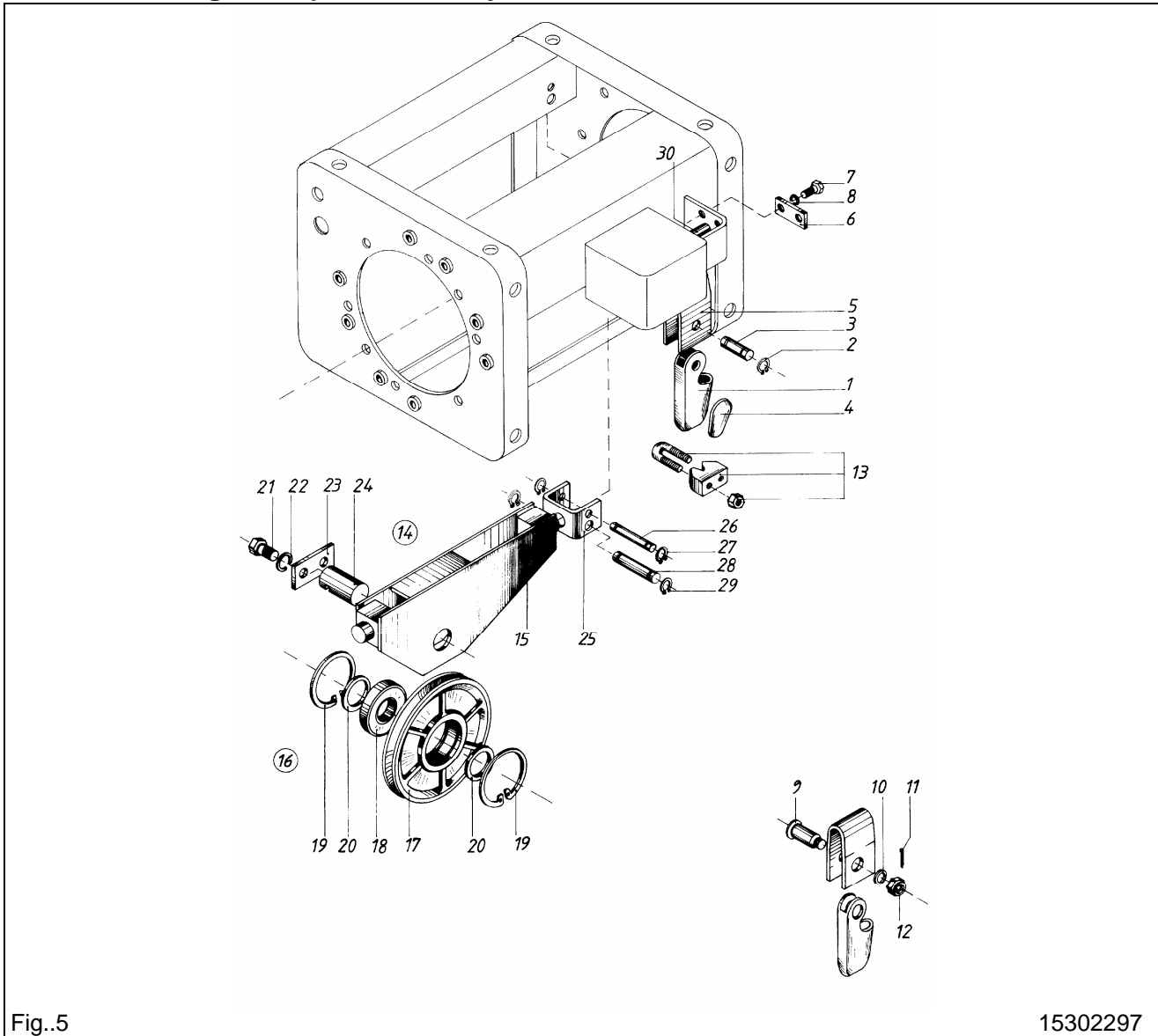


Fig.5

15302297

table.5.1

		Size	MT305	MT308	MT312	MT316	MT525	
		db, mm	7	7	10	10	12	
Fig.	Pos	Name	Q	Catalogue number				
5	1	Wedge bush	1	260197	260199	260199	260199	260200
	4	Wedge	1	260209	808798	009463	009463	260212
	5	Carrier	1	826824	826784	826784	826784	827747
	9	Axle	1	832128	832128	832130	832130	832131

### 5.2. Traverse with roller complete - reeving 4/1

table.5.2

		Size	MT305			MT308			MT312; MT316			MT525			
		Lifting height	H1	H2	H3	H1	H2	H3	H1	H2	H3	H1	H2	H3	
		Rope diameter, mm	7			7			10			12			
Fig.	pos	Name	Q			Catalogue number									
5	14	<b>Traverse with roller set</b> (pos.15÷16, 20÷24)	1	808264	808265	808266	503450	503451	808227	503470	503471	808244	503314	503317	808245
	16	<b>Roller complete</b> (pos.17,-19)	1	826715			830115			826717			830116		

# 6. HOOK SET

## 6.1. Hook complete for reeving 2/1

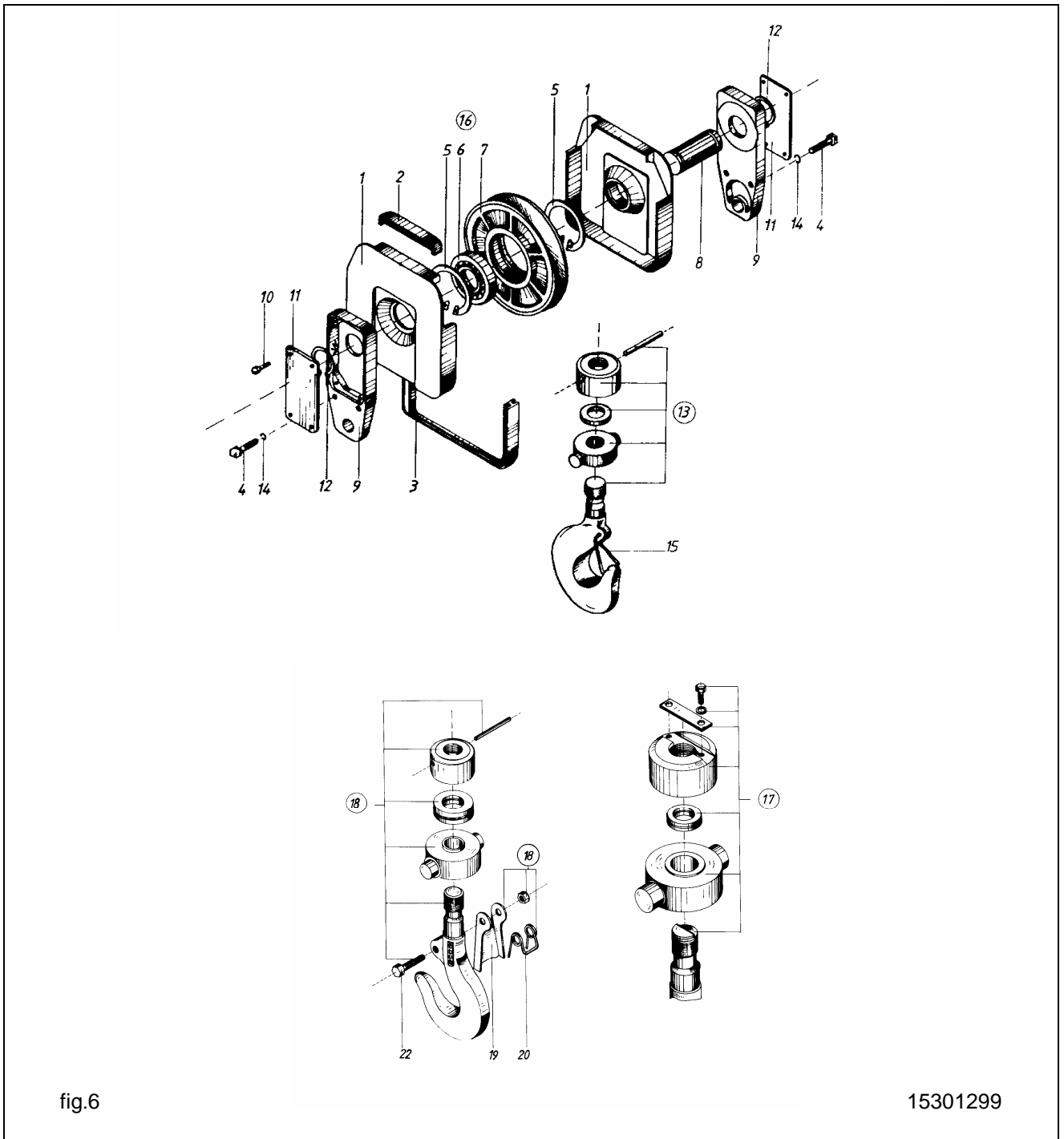


fig.6

15301299

table.6.1

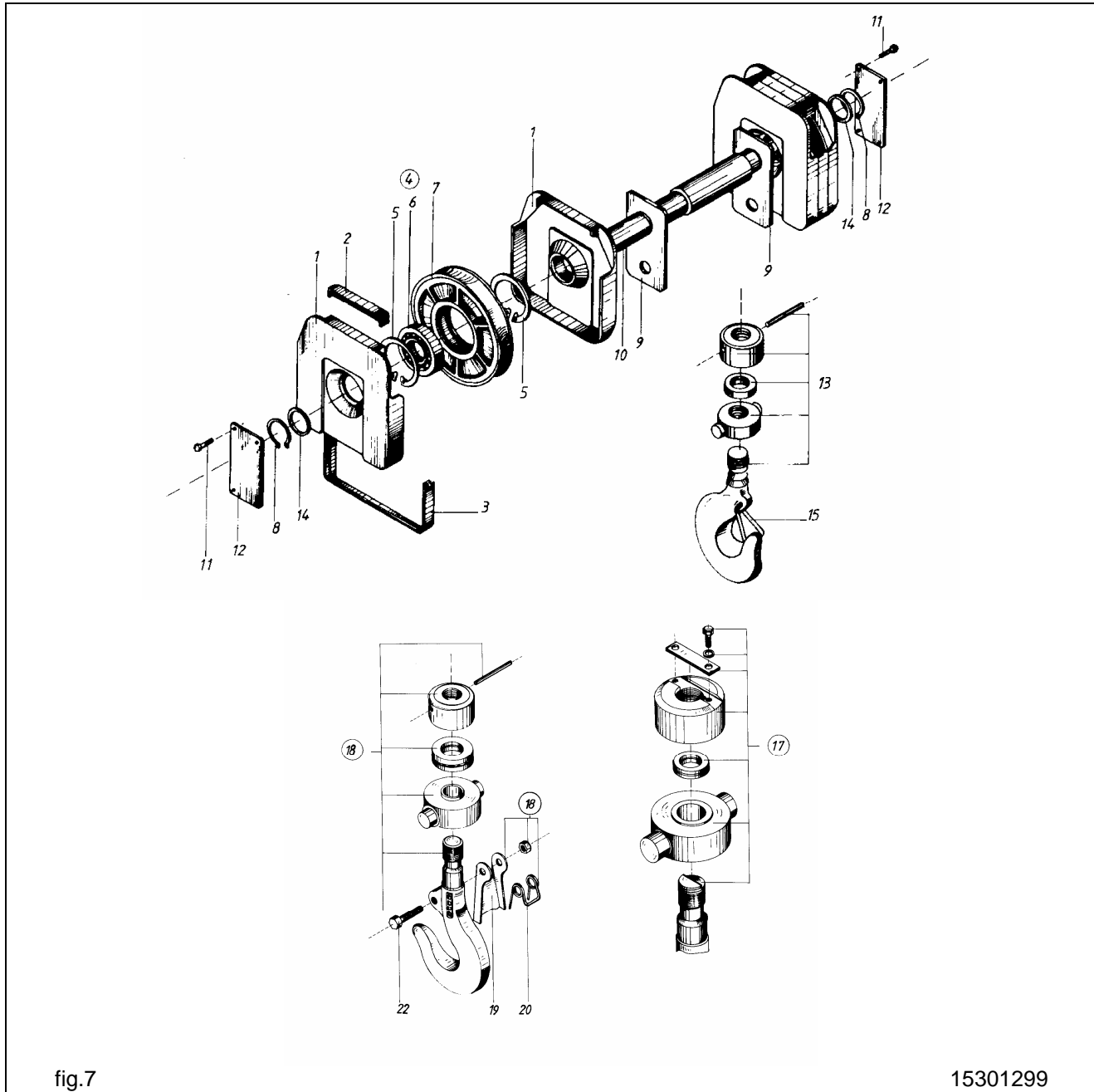
Reeving 2/1		Saze	MT305	MT308	MT312	MT316	MT525	
		Capacity, t	1	1,6	2,5	3,2	5	
		Hook number acc. to DIN15400	0.5	1	1,6	1,6	2.5	
		Rope diameter, mm	7	7	10	10	12	
fig	pos	Name	Q	Catalogue numb				
1	2	3	4	5	6	7	8	9
6		<b>Hook set</b>						
		● group 2m (nos.1÷4, 8÷17)	1	808439	808440	808441	808442	808443
	1	Cover 160	2	826903	827707	827708	827708	827709
	2	Profile 160	1	826828	826969	826754	826754	826972
	3	Profile 160	1	826832	827454	826758	826758	826971
	16	<b>Roller set (pos.5-7)</b>	1	826715	830115	826717	826717	826959
18	<b>Hook with traverse (incl pos.19-22)</b>	1	836902	836904	836906	836906	836908	



## 6.2. Hook complete for reeving 4/1

Табл.6.2

Reeving 4/1		Saze	MT305	MT308	MT312	MT316	MT525	
		Capacity, t	2	3,2	5	6,3	10	
		Hook number acc. to DIN15400	1,6	1,6	2,5	4	4	
		Rope diameter, mm	7	7	10	10	12	
fig	pos	Name	Q	Catalogue numb				
1	2	3	4	5	6	7	8	9
7		<b>Hook set</b>						
		● group 2m (nos.1÷4, 8÷15,17,19-22)	1	808372	503368	503369	808416	503370
	1	Cover 160	2	826903	827707	826757	826757	826967
	2	Profile 160	2	826828	826969	826754	826754	826971
	3	Profile 160	2	826832	827454	826758	826758	826972
	4	<b>Roller set (pos.5-7)</b>	2	826715	830115	826762	826762	827750
18	<b>Hook with traverse (incl pos.19-22)</b>	1	836922	836906	836927	836924	808380	



## 7. TRAVEL MECHANISM - low headroom

### 7. 1. Travel mechanism

table. 7.1.1

Saze			MT305		MT308		MT312		MT312		MT316		MT316		MT525		MT525	
Reeving			2/1		4/1		2/1		4/1		2/1		4/1		2/1		4/1	
Capacity, t			1		2		1,6		3,2		2,5		5		3,2		6,3	
Travel wheel diameter, mm			125		125		125		125		125		125		160		125	
fig	pos	Name	Q		Catalogue number													
8	[5]	<b>Driven block ( left )</b> (pos.6,6A,7,8,12) ( for zero-slopped profile. )	1	807380	807380		807381		807380		807382		808241		807383			
		(for universal slopped profile)	1	808725	808725		808726		808725		808727		808729		808728			
	[13]	<b>Driven block (right)</b> (pos.6A,7,8,12,14) ( for zero-slopped profile. )	1	807388	807388		807389		807388		807390		808221		807391			
		(for universal slopped profile)		808720	808720		808721		808720		808722		808724		808723			
	[19]	<b>Driving block (left)</b> (pos.20÷24,29,30) ( for zero-slopped profile. )	1	807396	807396		807397		807396		807398		807397		807399			
		(for universal slopped profile)		808730	808730		808731		808730		808732		808731		808733			
	24	<b>Driving travel wheel complete (pos.25 ÷ 28)</b> ( for zero-slopped profile. )		835552	835552		807453		835552		835553		807453		807483			
		(for universal slopped profile)	1	831719	831719		808718		831719		832471		808718		808719			
	31	<b>Driving block (right)</b> (pos.32,21÷24,29,30) ( for zero-slopped profile. )	1	807404	807404		807405		807404		807406		807405		807407			
		(for universal slopped profile)		808734	808734		808735		808734		808736		808735		808737			
	50		<b>Roller</b> (pos.53-55) - for reeving 4/1	1	826715	826715		826717		-		830116		-		826959		

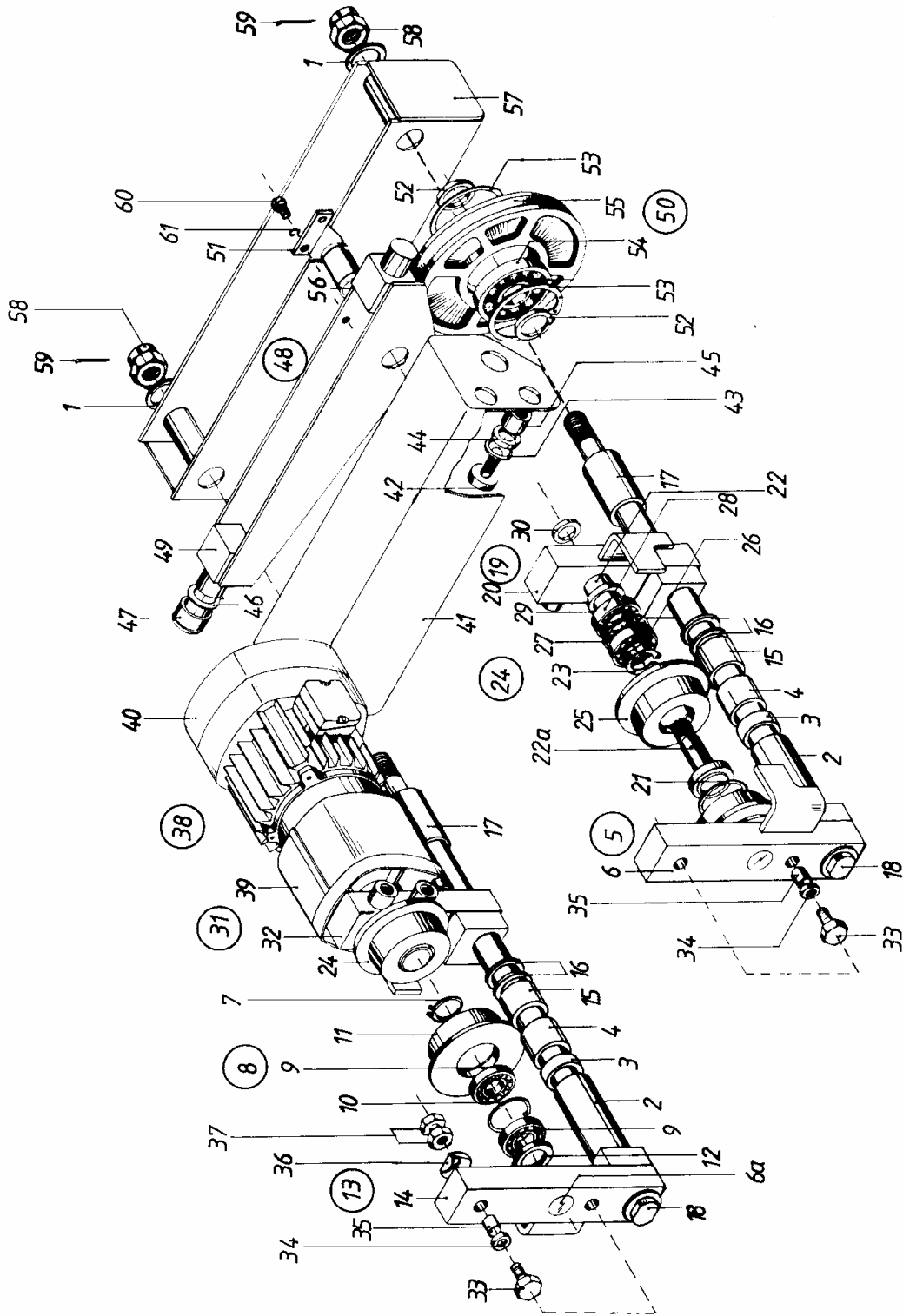
**Note:**

1. Details and blocks with position from 38 to 48 - for reeving 4/1.
2. Driving block and driven block (pos. 5, 8, 14 and 25) are delivered as whole sets.
3. Driven travel wheel and driving travel wheel (pos. 11 and pos. 25) - for slopped and zero-slopped profile.

### Details and blocks for other lifting heights

table.7.1.2

Lifting height			H0		H1		H2		H3		H0		H1		H2		H3	
fig	pos	Name	Q		Catalogue number													
Saze			MT305						MT308									
8	1	Frame for HOT	1	2/1	808792	808793	808794	808795	808748	808749	808750	808751						
	41	Frame	1	4/1		807435	807444	807592		807435	807444	807592						
	48	<b>Traverse with roller set</b> (pos.49÷52,56,60,61)				807424	807425	807608		807424	807425	807608						
Saze			MT312						MT316									
8	1	Frame for HOT	1	2/1	808819	808820	808821	808822	808752	808753	808754	808755						
	41	Frame	1	4/1		807445	807446	807593		807447	807448	807594						
	48	<b>Traverse with roller set</b> (pos.49÷52,56,60,61)				807426	807427	807609		807428	807429	807610						
Saze			MT525															
8	1	Frame for HOT	1	2/1	808756	808757	808758	808759										
	41	Frame	1	4/1		807449	807450	807595										
	48	<b>Traverse with roller set</b> (pos.49÷52,56,60,61)				807430	807431	807611										



15301697

fig.8

7.2. Gearmotor

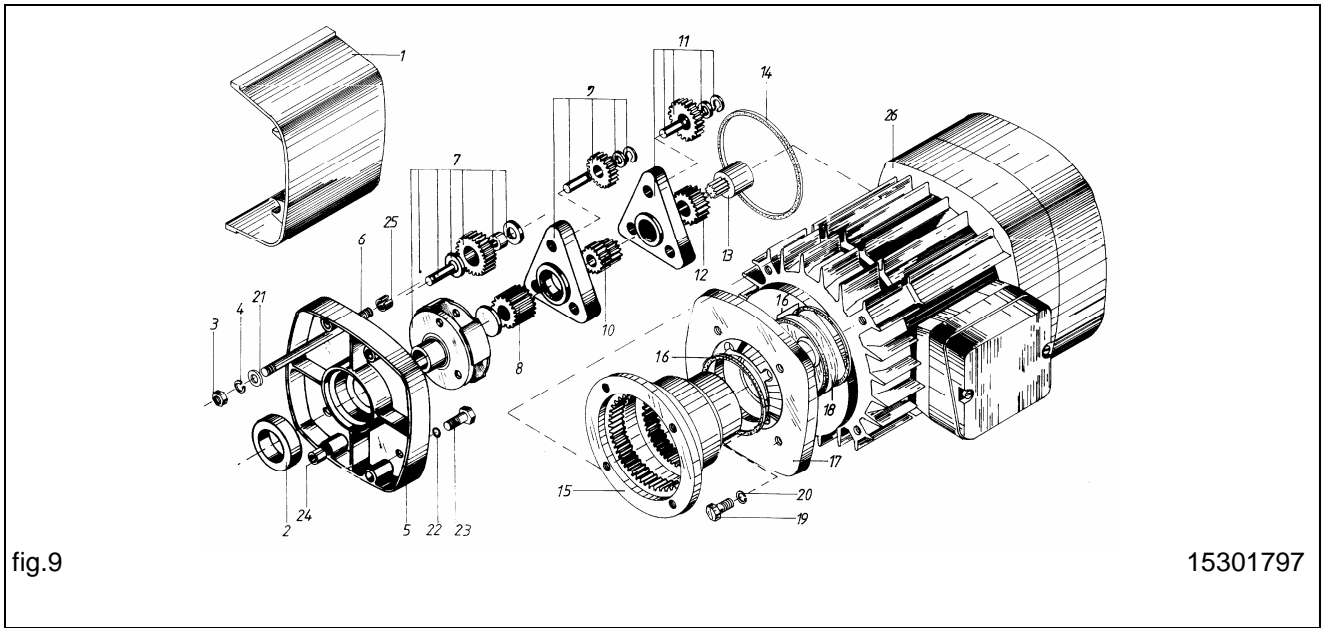


fig.9

15301797

Completing of gearmotor

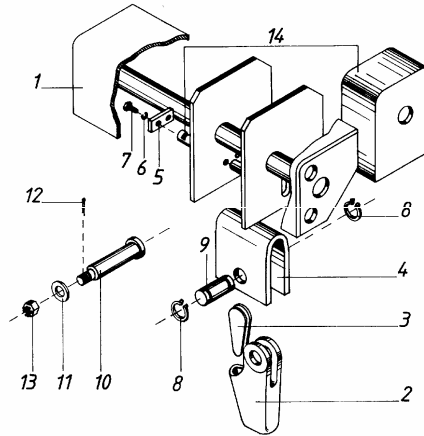
table.7.2.1

Reeving		2/1				
Quantity speed		Double speed gearmotor				
Dxk, mm		125	125	125	160	160
Size of electric hoist		MT305	MT308	MT312	MT316	MT525
Quantity; t		1	1,6	2,5	3,2	5
Fig.	Name	Catalogue number				
1	2	3	4	5	6	7
Travel speed		0.2/0.05, m/s				
9	Gearmotor	834476	834476	834476	834476	834317
	Reducer	829048	829048	829048	829048	829963
Travel speed		0.25/0.063, m/s				
9	Gearmotor	834480	834480	834480	834480	834319
	Reducer	827836	827836	827836	827836	827676
Travel speed		0.32/0.08, m/s				
9	Gearmotor	834484	834484	834484	834484	834322
	Reducer	827674	827674	827674	827674	831502

table.7.2.2

Reeving		4/1				
Quantity speed		Double speed gearmotor				
Dxk, mm		125	125	125	160	160
Size of electric hoist		MT305	MT308	MT312	MT316	MT525
Quantity; t		2	3,2	5	6,3	10
Fig.	Name	Catalogue number				
1	2	3	4	5	6	7
Travel speed		0.2/0.05, m/s				
9	Gearmotor	834476	834476	834317	834313	834331
	Reducer	829048	829048	829963	829289	829690
Travel speed		0.25/0.063, m/s				
9	Gearmotor	834480	834480	834319	834316	834334
	Reducer	827836	827836	827676	829963	829674
Travel speed		0.32/0.08, m/s				
9	Gearmotor	834484	834484	834322	834320	834377
	Reducer	827674	827674	831502	827676	829056

**Note:** 1. The type and features of the motors used are given in the passport of the electric hoists .



фиг.10

15302797

### 7.3. Fixing the rope end to the body Reeving 2/1

table.7.3

		Size	MT305	MT308	MT312	MT316	MT525	
		db, mm	7	7	10	10	12	
fig.	pos	Name	Q.					Catalogue number
10	2	Wedge bush	1	260197	260197	260199	260199	260200
	3	Wedge	1	260209	260209	009463	009463	260212
	4	Carrier	1	826824	826824	826784	826784	827747
	9	Axle	1	832128	832128	832130	832130	832131
14	Load limiter HOT						according to table 9.2	

### 7.4. Travel mechanism type M - normal headroom

#### 7.4.1. Completing the travel mechanism вижване

table. 7.4.1

Size		MT305	MT305	MT308	MT308	MT312	MT312	MT316	MT316	MT525	MT525			
Reeving		2/1	4/1	2/1	4/1	2/1	4/1	2/1	4/1	2/1	4/1			
Capacity, t		1	2	1,6	3,2	2,5	5	3,2	6,3	5	10			
Travel wheel diameter, mm		125	125	125	125	125	125	125	160	160	160			
fig	pos	Name	Q.									Catalogue number		
1	2	3	4	5	6	7	8	9	10	11	12	13	14	15
11	1÷32	Rigid trolley 2/1 H0	1	808330		808330		808509		808509		808513		
		Rigid trolley 2/1 H1	1	808340		808340		808510		808510		808514		
		Rigid trolley 2/1 H2	1	808341		808341		808511		808511		808515		
		Rigid trolley 2/1 H3	1	808342		808342		808512		808512		808516		
	5	Driving block (pos.6÷8, 14,15)	1	808296		808296		808296		808296		808297		
		Driving block (pos.6÷8, 14,15)	1	808300		808300		808300		808300		808301		
	8	Driving travel whe complete (pos.9÷12)	2	835552		835552		835552		835552		835552		
		(for universal slopped profile)	2	831719		831719		831719		831719		808718		
	19	Driven block complete (pos.20,20A,23,25)	1	808319		808319		808319		808319		808320		
		Driven block complete (pos.20,20A,23,25)	1	808323		808323		808323		808323		808324		
	20a	Driven travel wheel complete (pos.21,22,24)	2	835558		835558		835558		835558		807451		
		(for universal slopped profile)	2	831718		831718		831718		831718		808715		
1÷32	Rigid trolley 4/1 H1	1		808517		808517		808520		808523		808526		
	Rigid trolley 4/1 H2	1		808518		808518		808521		808524		808527		
	Rigid trolley 4/1 H3	1		808519		808519		808522		808525		808528		
5	Driving block (pos.6÷8, 14,15)	1		808300		808300		808301		808302		808303		
	Driving block (pos.6÷8, 14,15)	1		808296		808296		808297		808298		808299		
8	Driving travel whe complete (pos.9÷12)	2		835552		835552		807453		835553		807483		
	(for universal slopped profile)	2		831719		831719		808718		832471		808719		
19	Driven block complete (pos.20,20A,23,25)	1		808323		808323		808324		808325		808326		
	Driven block complete (pos.20,20A,23,25)	1		808319		808319		808320		808321		808322		
20a	Driven travel wheel complete (pos.21,22,24)	2		835558		835558		807451		835559		807452		
	(for universal slopped profile)	2		831718		831718		808715		832486		808716		

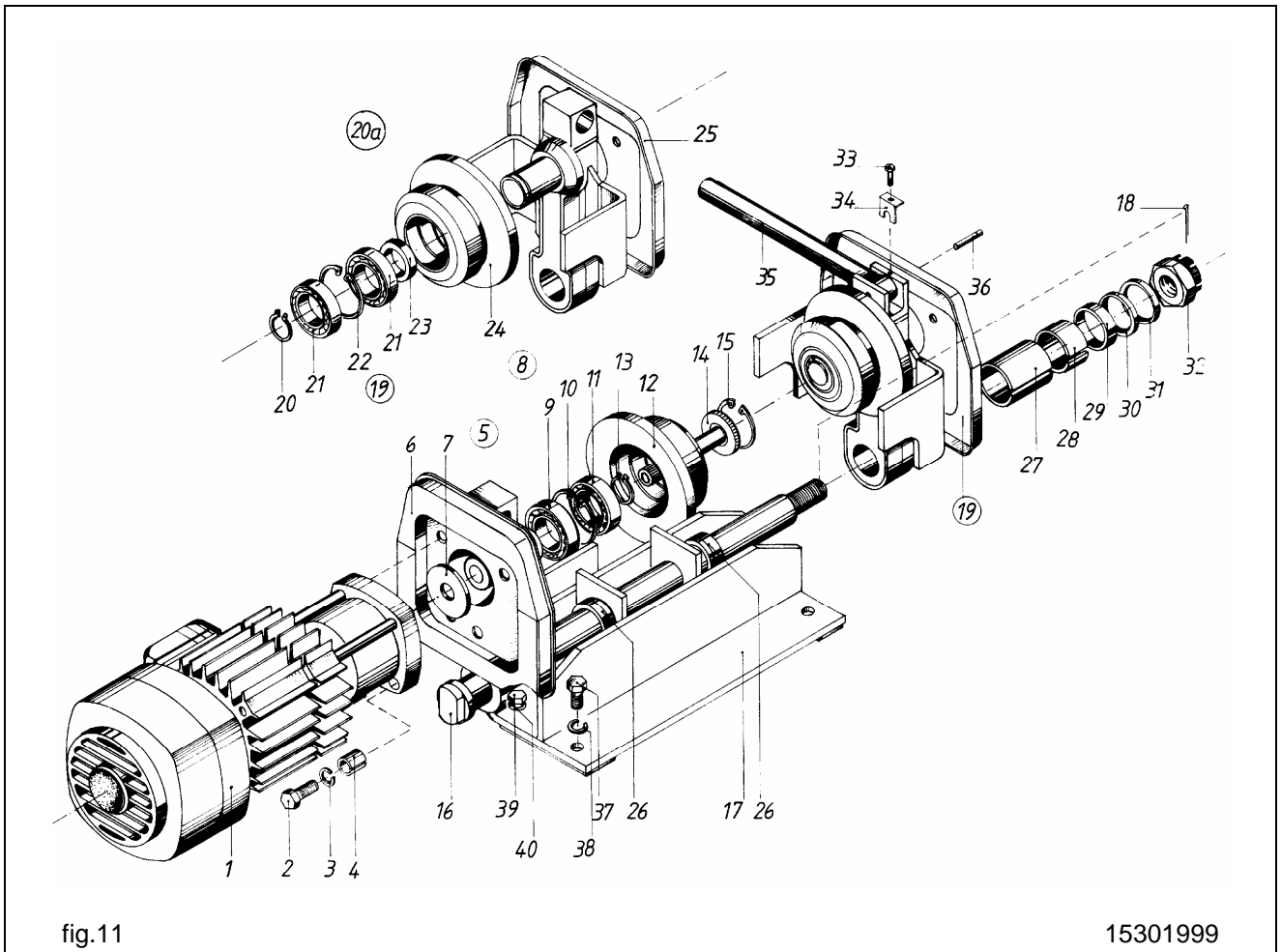


fig.11

15301999

## 8. LOAD LIMITER type H O T

### 8.1. Load limiter for reeving 4/1

table.8.1

Size of electric hoist				MT305	MT308	MT312	MT316	MT525
Headroom				low		normal		
Reeving				4/1				
fig	pos	Name	Q	Catalogue number				
1	2	3	4	5	6	7	8	9
10		<b>Load limiter</b> (pos.1-16)		577171 HOT05M4	577172 HOT10M4	577173 HOT16M4	577173 HOT16M4	577174 HOT25M4
	(7)	Spring DIN 2093	8	23x12.2x1.25	34x16.3x2	34x16.3x2	34x16.3x2	-
	(7)	Spring DIN 2093	12	-	-	-	-	45x16.3x2-

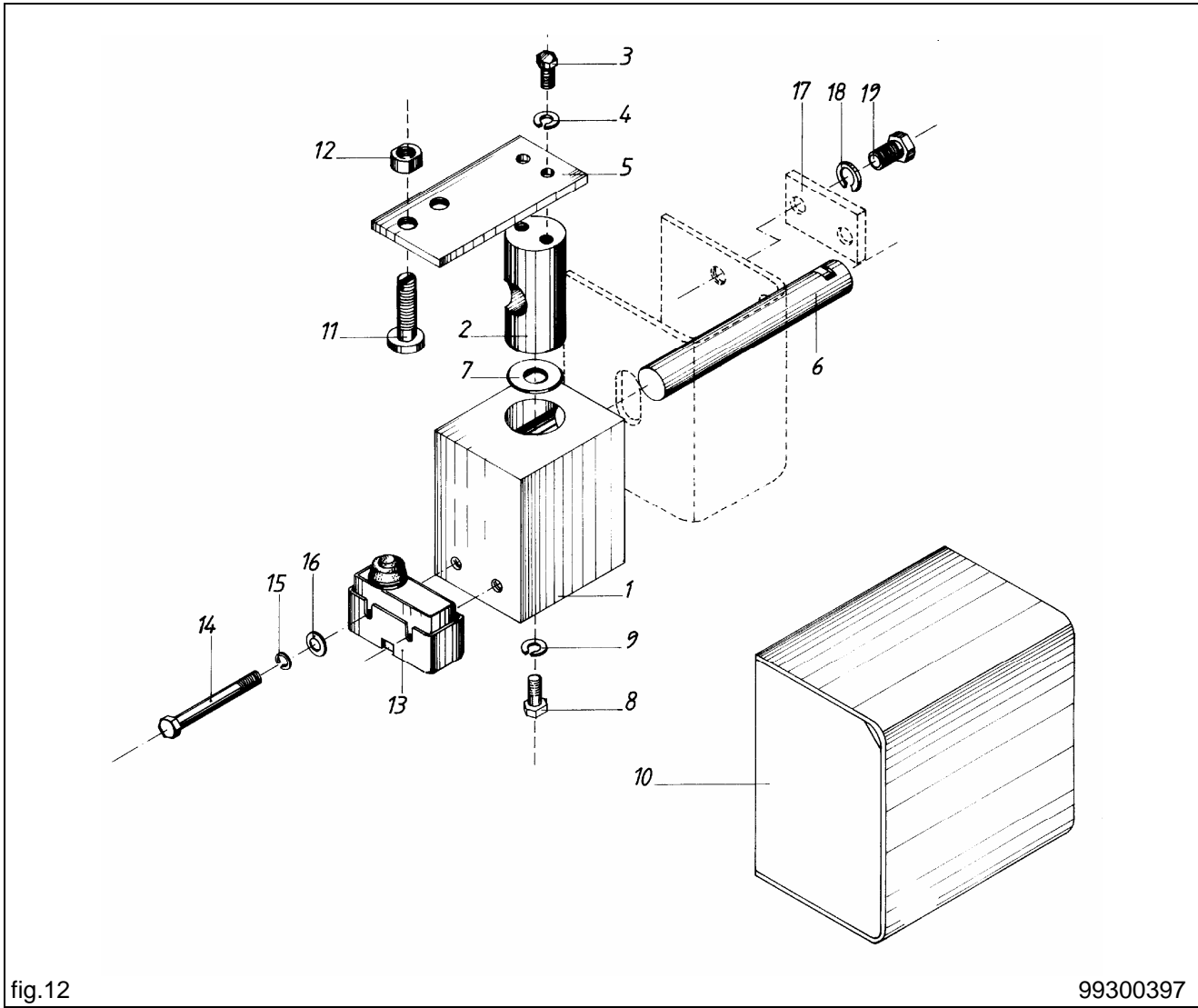


fig.12

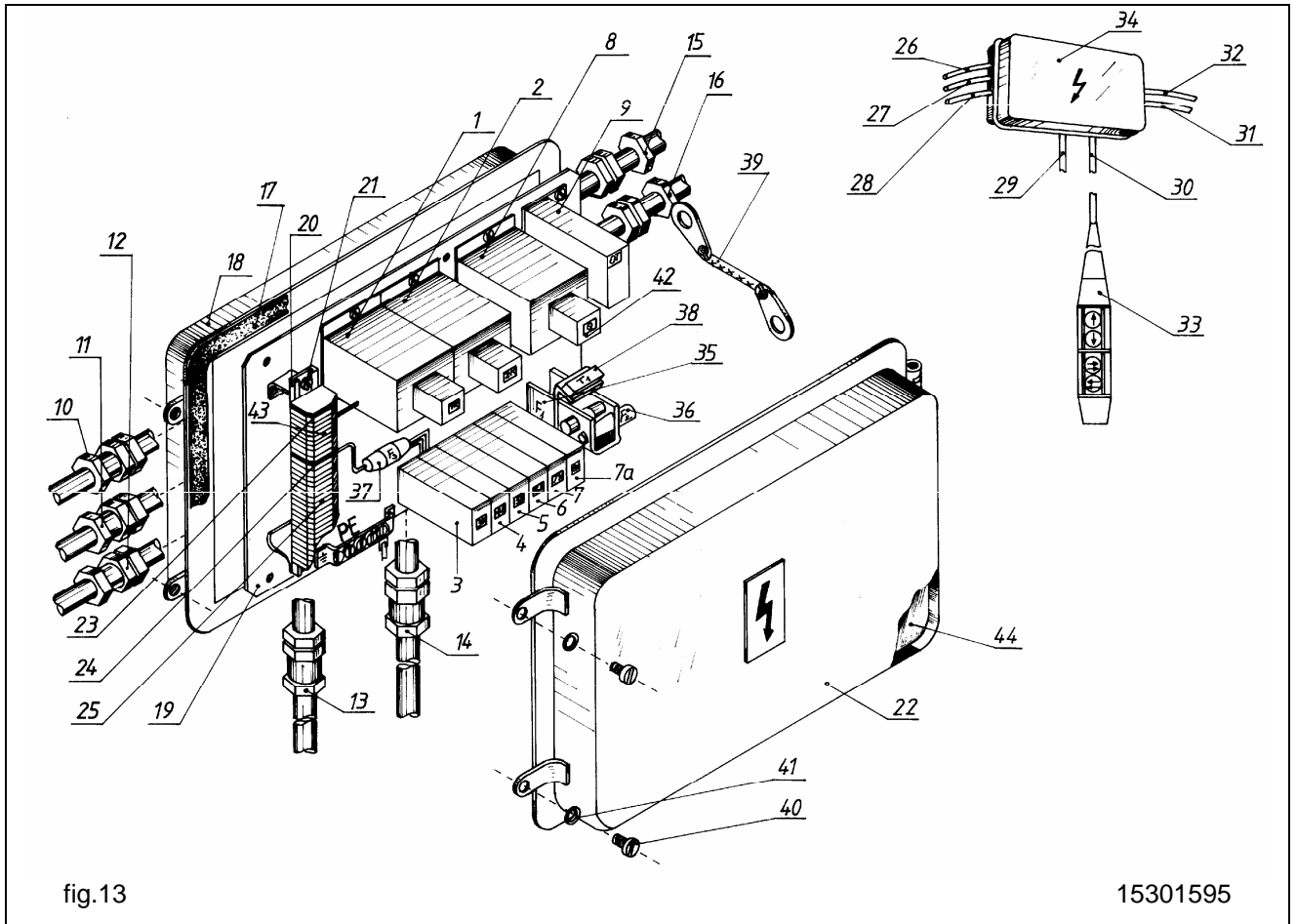
99300397

### 8.2. Load limiter for reeving 2/1

table.8.2

Size of electric hoist		MT305	MT308	MT312	MT316	MT525		
Headroom		stationary and		normal	headroom			
Reeving		2/1						
fig	pos	Name	Q	Catalogue number				
12		<b>Load limiter</b> (pos.1-16)		577110 HOT05M2	577111 HOT10M2	577111 HOT10M2	577112 HOT16M2	577113 HOT25M2
	(7)	Spring DIN 2093	8	23x12.2x1.25	34x16.3x2	34x16.3x2	34x16.3x2	-
	(7)	Spring DIN 2093	12	-	-	-	-	45x16.3x2

# 9. CONTROL BLOCK



## 9.1. Control block - units

table.9.1

fig.	Pos..	Name	Q.	Positions of units	Note
13	26÷32,33,34	Control block	1	26÷32,33,34	
	34	Electric panel	1	1÷25,35÷44	
	33	Push button	1	33	Type - in passport
	26÷32	Cable set	1	26÷32	



9.2. Chassis with el. apparatus

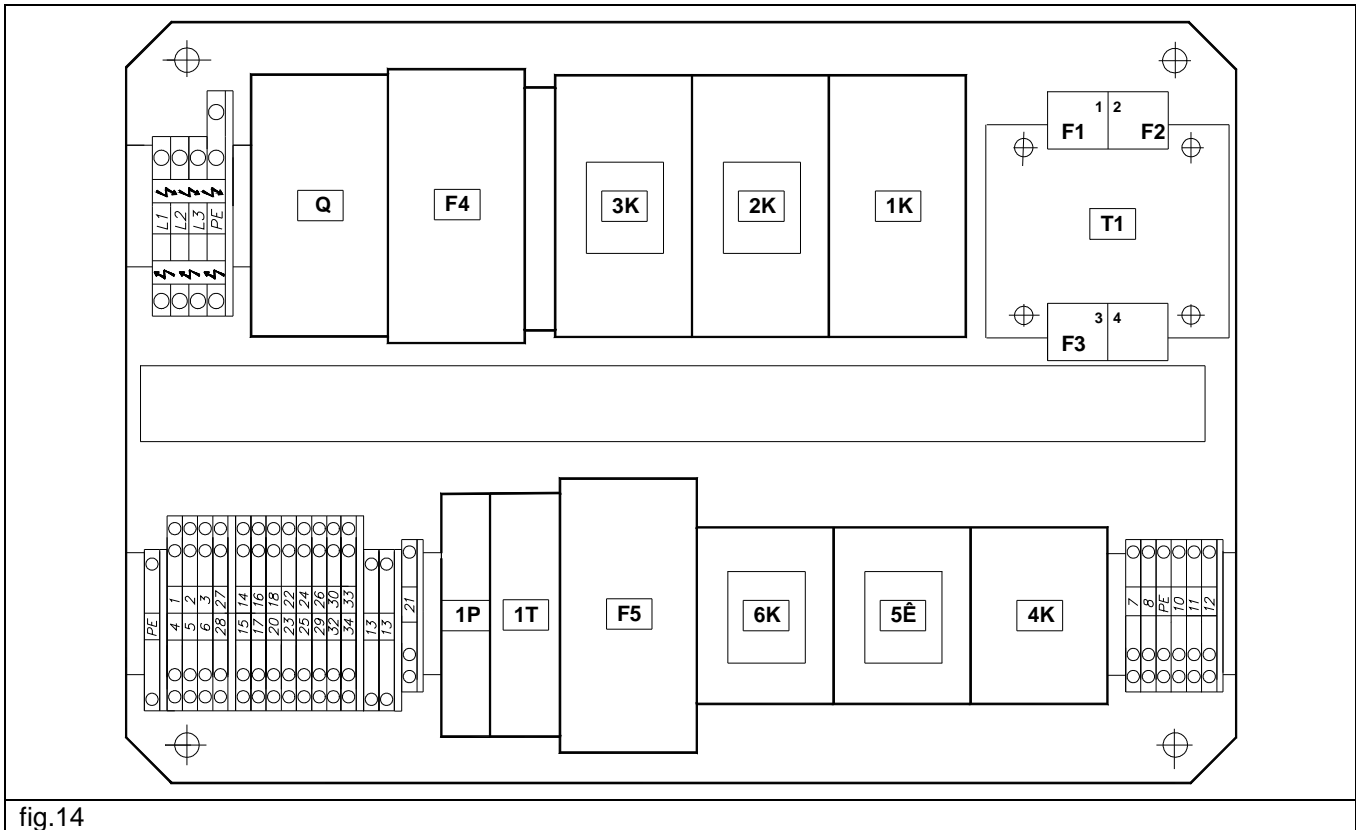


fig.14

9.2.1 El. apparatus

table.9.2.1

Elements										
Name	Q	1K	2K, 3K	4K	5K, 6K	F4	F5	1T	1P	Transformer
Q	1	1	1	1	1	1	1	1	1	1
Fig.	Catalogue number									
1	2	3	4	5	6	7	8	9	10	11
<b>MT304; M305; M306; M308 –el. motor „ЕЛМАТЕХ”</b>										
14	LC1D09	LC1D098	LC1D09	-	-	GZ1M14	-	taimer	relay	EI78/36-63VA
	LC1D09	LC1D098	LC1D09	LC1K09008	LCK0601	GZ1M14	GZ1M07	RE8RA11BTQ	40.52.8.024 socet 95.75	
<b>MT310; MT312; M313; M316 – el. motor „ЕЛМАТЕХ”</b>										
14	LC1D09	LC1D128	LC1D12	-	-	GZ1M16	-	taimer	relay	EI78/36-63VA
	LC1D09	LC1D128	LC1D12	LC1K09008	LCK0601	GZ1M16	GZ1M07	RE8RA11BTQ	40.52.8.024 socet 95.75	
<b>MT310-V2; MT312-V2 – el. motor „ЕЛМАТЕХ”</b>										
14	LC1D09	LC1D188	LC1D18	-	-	GZ1M20	-	taimer	relay	EI78/36-63VA
	LC1D09	LC1D188	LC1D18	LC1K09008	LCK0601	GZ1M20	GZ1M07	RE8RA11BTQ	40.52.8.024 socet 95.75	
<b>MT308; MT310; MT312 – el. motor „ЕЛМОТ”</b>										
14	LC1D09	LC1D128	LC1D12	-	-	GZ1M16	-	taimer	relay	EI78/36-63VA
	LC1D09	LC1D128	LC1D12	LC1K09008	LCK0601	GZ1M16	GZ1M07	RE8RA11BTQ	40.52.8.024 socet 95.75	
<b>MT316; MT316-V2; MT525 – el. motor л „ЕЛМОТ”</b>										
14	LC1D09	LC1D188	LC1D18	-	-	GZ1M21	-	taimer	relay	EI78/36-63VA
	LC1D09	LC1D188	LC1D18	LC1K09008	LCK0601	GZ1M21	GZ1M08	RE8RA11BTQ	40.52.8.024 socet 95.75	
<b>MT316-V2; MT525 – el. motor „АМК”</b>										
14	LC1D18	LC1D258	LC1D25	-	-	GZ1M21	-	taimer	relay	EI84/43-100VA
	LC1D18	LC1D258	LC1D25	LC1K09008	LCK0601	GZ1M21	GZ1M08	RE8RA11BTQ	40.52.8.024 socet 95.75	



## REQUEST

for spare parts for **electric hoist, type** ....., **serial number** ....., **year of production** ....., **operation mode group acc. to FEM** ....., **supply voltage: voltage** .....; **frequency** ..... Requested in accordance with Catalogue No .....

No	Spare part	Catalogue number	QTY
1			
2			
3			
4			
5			
6			

Spare parts to be delivered at the following address:

.....  
 .....

Type of delivery : .....

Date : .....

Customer: .....

- Note** : 1. For the electric equipment spare parts: type, voltage and frequency as stated on item's identity plate.  
 2. Number of catalogue, printed on the right of the last line of every page..